

TonerKits

do-it-yourself toner refill kits

Request a detailed color copy of these instructions by email at support@tonerkits.com

QuikFil Instructions

LJP2055 qf4.0

Canon 2617B001 (Cartridge 120) HP CE505A/05X, CF280A/80X

1) Use our Universal Hole Tool or other melting device to make a 3/4 inch fill hole in the location shown. Do not allow any small bits of plastic to fall into the cartridge. If using our hole tool, read the operating instructions that came with it.

2) Shake the toner bottle well to aerate and loosen the toner. Then remove the cap and install the pouring spout. Slowly pour in the whole bottle of new toner. Try to avoid squeezing the bottle as it may cause toner to blow out all over the cartridge.

3) Once refilling is complete, clean the area around the fill hole and seal it with a two inch piece of the foil tape that came with the kit. Smooth the tape out well to make a leak proof seal.

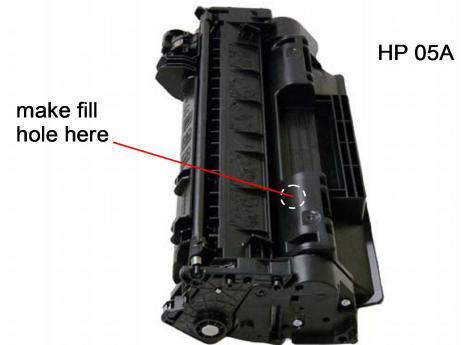
4) Chip replacement: Use a utility knife to make a slice in each rail where shown so the chip can pass through. Then slide the old chip out and slide the new chip in. CAUTION - All chips are static sensitive and can be damaged if subjected to a static discharge.

5) Shake the cartridge side to side to level the toner. Then reinstall it in the machine and run some test prints.

Note: Replacing the reset chip is optional for this cartridge type. If a new chip is not installed, the printer will continue to display a low toner message after the cartridge has been refilled but it will not interfere with the normal operation of the printer.

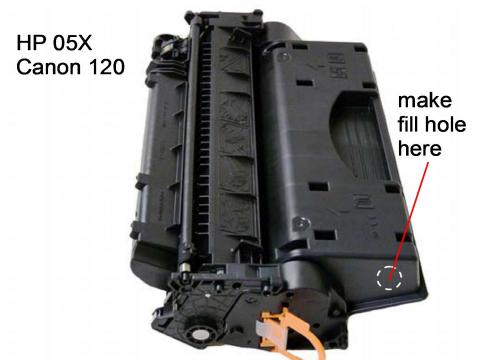


3/4" hole cutter tip



HP 05A

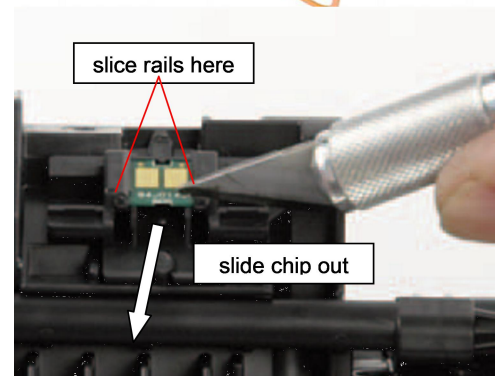
make fill hole here



HP 05X
Canon 120

make fill hole here

Fast Online Ordering Available 24/7
www.tonerkits.com



slice rails here

slide chip out